

HYDRAULIC HINGE



Adjustment

Depth



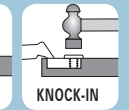
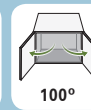
Horizontal



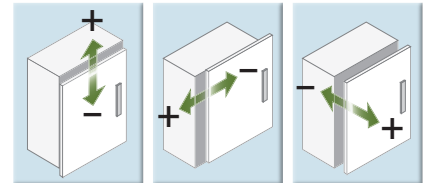
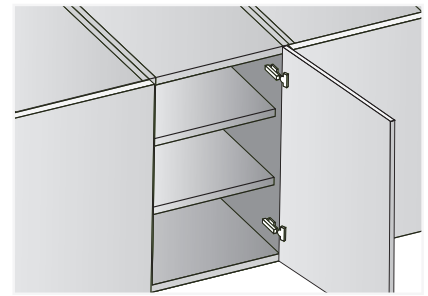
Height



Hydraulic Clip-On 100° Hinges



- All metal hinge, nickel plated.
- 100° opening angle.
- 3 dimensional adjustment (with the relevant mounting plate).
- With noiseless retention closing mechanism.
- Simple removal of doors with the mounting plate.
- Assembly knock-in with the right reference.



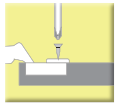
Max. ± 2 mm.
See the mounting plates

+ 2 mm.
- 4 mm.

+3 mm.
- 1 mm.

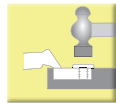
Hydraulic 100° Clip-On hinge

APPLICATION



SCREW-ON

APPLICATION



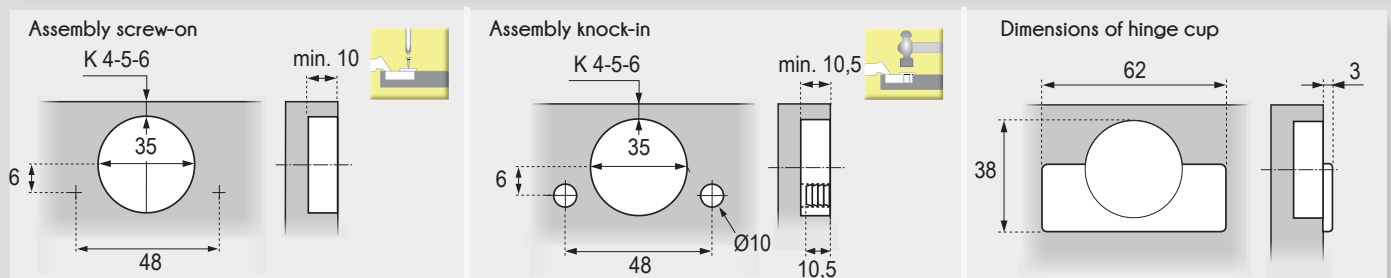
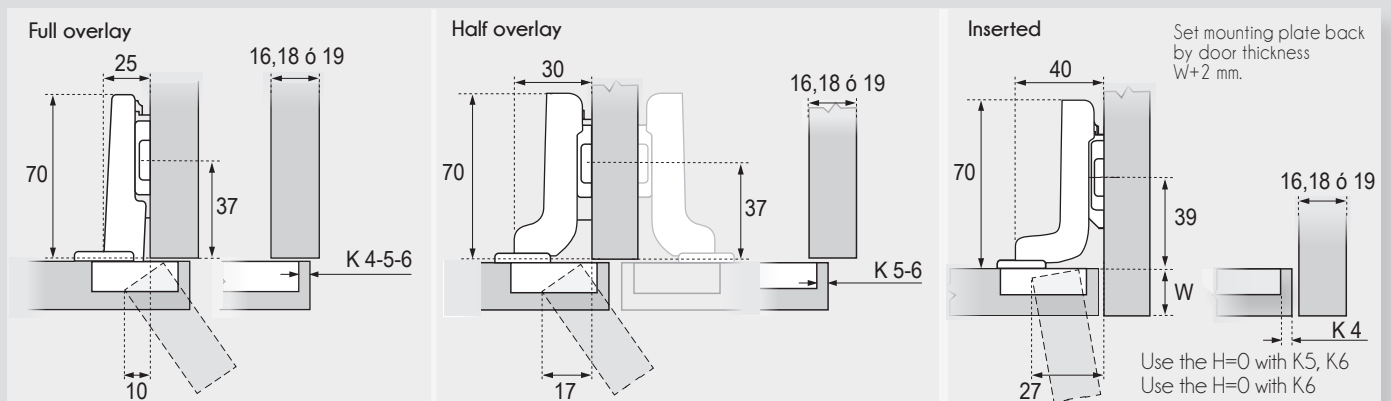
KNOCK-IN
WITH \varnothing 10 mm.
DOWELS

Full overlay	Ref. F70000-DTC
Half overlay	Ref. F70014-DTC
Inserted	Ref. F70015-DTC
Packaging	200 Units

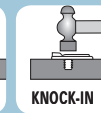
F70001-DTC
F70029-DTC
F70016-DTC
200 Units

BOARD	K			
	H	K4	K5	K6
18 19	H=0		18 19	18 19
	H=2	16	16	16

We recommend to carry out a trial.



Hydraulic Clip-On Mounting Plates

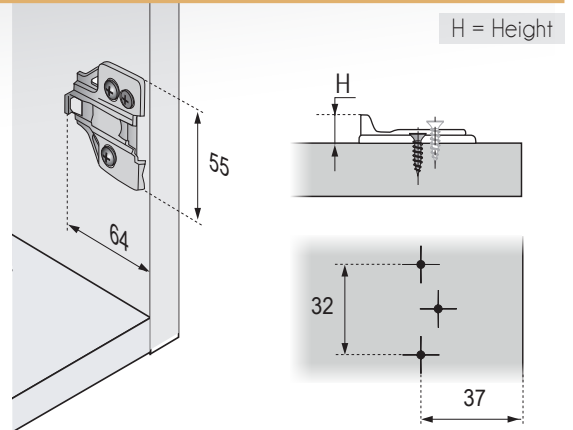


with Eccentric

Mounting plate clip-on 3D. Screw



- Nickel plated steel.
- Assembly with screws of $\varnothing 3,5$.
- Adjustment in height ± 2

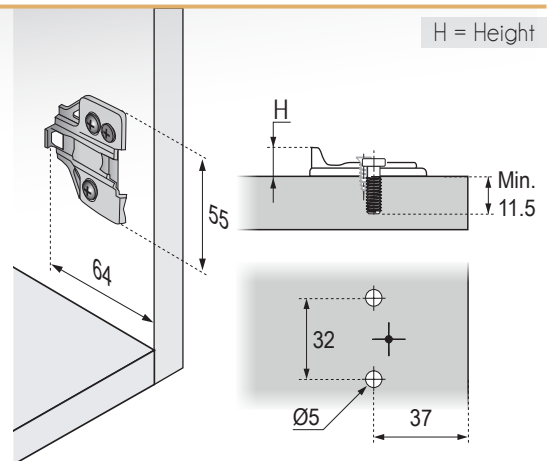


H=0	7	Ref. F70008-DTC
H=2	9	Ref. F70009-DTC
Packaging		200 Units

Mounting plate clip-on 3D. $\varnothing 5$ mm. Dowel



- Nickel plated steel.
- Assembly knock-in.
- Premounted with $\varnothing 5$ dowels.
- With eccentric cam height adjustment ± 2

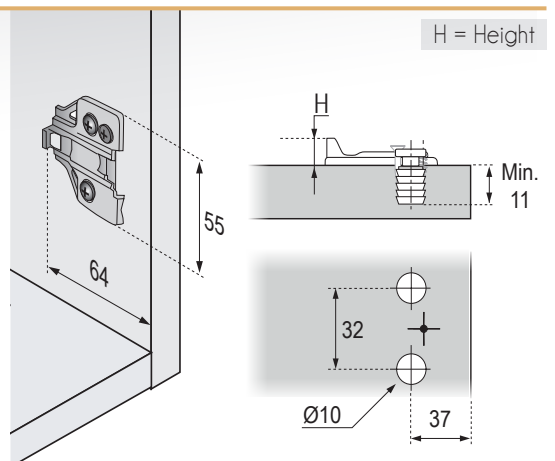


H=0	7	Ref. F70012-DTC
H=2	9	Ref. F70013-DTC
Packaging		200 Units

Mounting plate clip-on 3D. $\varnothing 10$ mm. Dowel



- Nickel plated steel.
- Assembly knock-in.
- Premounted with $\varnothing 10$ dowels.
- With eccentric cam height adjustment ± 2



H=0	7	Ref. F70010-DTC
H=2	9	Ref. F70011-DTC
Packaging		200 Units